

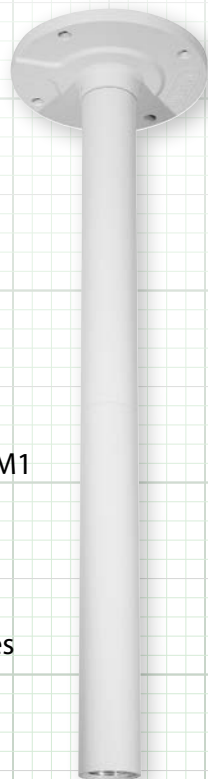
Pendent Mount for Select Cameras*

*Requires Appropriate Pendent Cap

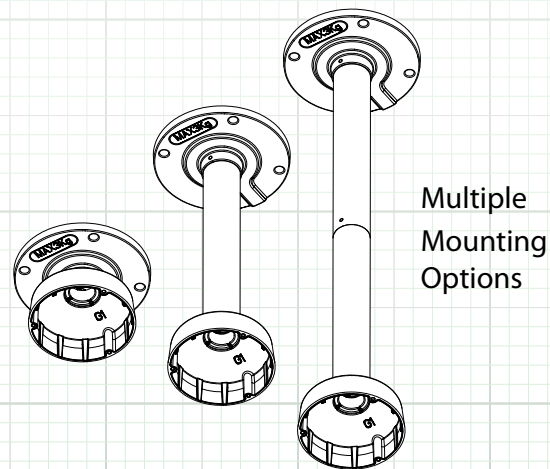
FOR USE WITH THESE Northern[★]

PENDANT CAP MODELS:

N2PC1, N2PC2, N2PC3, N2PC4, N2PC5



N2CPM1



FEATURES:

- 18" Drop Down Length
- Includes (2) 9" Drop Down Pipes
- For Use With or Without Drop Down Pipes
- Manages & Protects Cables
- For Indoor & Outdoor Use

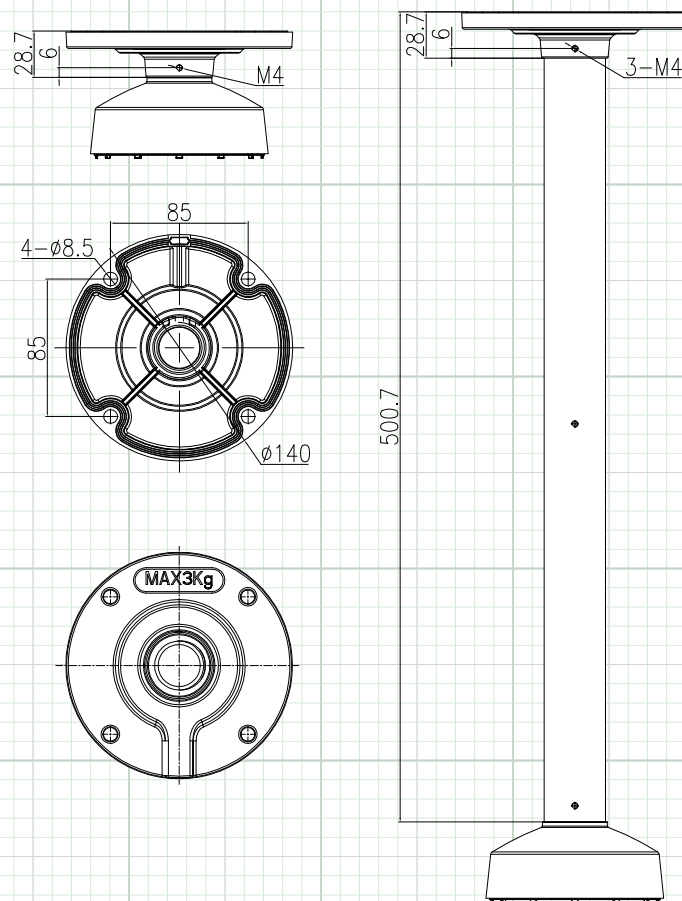
SPECIFICATIONS:

General	
Material	Aluminum Alloy
Color	White
Thread Size	G1, 1"
Load Bearing	3 kg (6.61 Lb.)
Product Dimensions	φ140 × 500mm (φ5.51 × 19.69")
Product Weight	0.92kg (2.03 Lb.)

PACKAGE INCLUDES:

Item	Qty
Base plate	1
Drop Down Pipes	2
Gasket	1
Expansion Screws M6×60mm	4
Mounting Template	1
Allen Wrench	1
Stainless Steel Set Screws	3

MOUNT DIMENSIONS:



Note:
Pendent cap not included, shown only for display purposes.

Note: Specification subject to change without notice