

Pendent Cap for Select Cameras*

*Requires N2CMP1 Pendent Mount

FOR USE WITH CAMERA MODELS:

N2IP4T, HDTIR90WD

N2PC3



FEATURES:

- Pendent Mount for Dome Camera
- Aluminum Alloy
- For Indoor & Outdoor Use

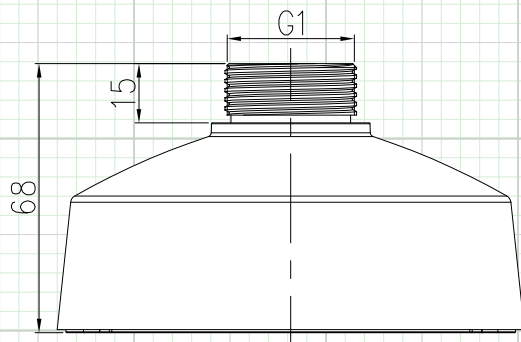
SPECIFICATIONS:

	N2PC3
Material	Aluminum Alloy
Color	White
Load Bearing	3 kg (6.61 Lb.)
Product Dimensions	φ118 x 68mm (φ4.65 × 2.68")
Product Weight	0.17kg (0.42 Lb.)

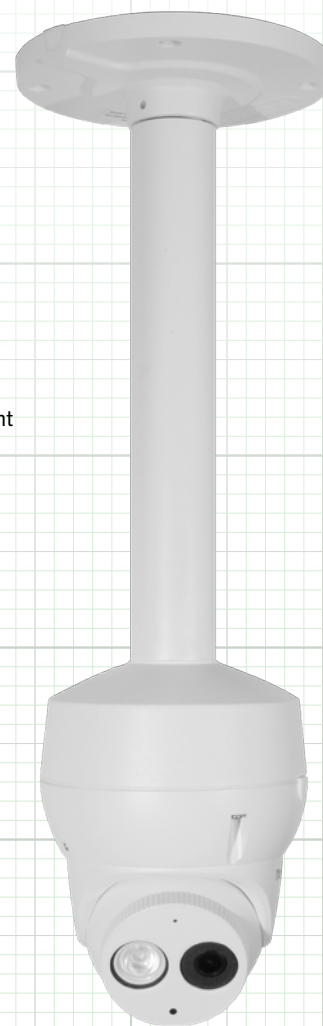
PACKAGE INCLUDES:

Item	Qty
Pendent Cap	1
Gasket	1
Torx Screws M4x18mm	3
Torx Wrench	1

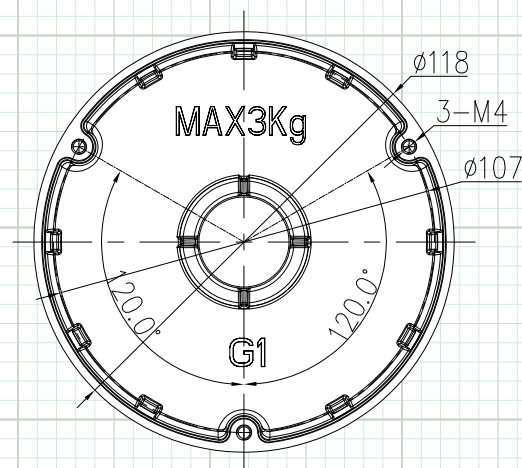
DIMENSIONS:



N2PC3 shown right with HDTIR90WD mounted on N2CMP1 Pendent Mount



(Camera and Pendent Mount not included)



Note: Specification subject to change without notice